

## CET3-AR-CRA-CH-50X-SG-110906 (ORDER NO. 110906)

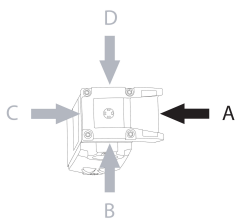
### Non-contact safety switch CET-AR-..., M12

- ▶ Safety switch with guard locking and integrated evaluation electronics
- ▶ Locking force up to 6,500 N
- ▶ Up to 20 switches in series
- ▶ Short circuit monitoring
- ▶ 2 safety outputs (semiconductor outputs)
- ▶ Category 4/PL e according to EN ISO 13849-1
- ▶ With 2 plug connectors M12
- ▶ Multicode
- ▶ Door monitoring output
- ▶ Indication of the door position by LED
- ▶ Approach direction A (delivery state)



### Description

#### Approach direction



Figure

Horizontal

Can be adjusted in 90° steps

#### Safety switch

The device may be operated only in conjunction with the actuator CET-A-....

**Important:** The actuator must be ordered separately.

#### Multicode evaluation unit

Every suitable actuator is detected by the switch.

#### Solenoid operating voltage

- ▶ DC 24 V +10% -15%

## Guard locking type

CET3 **Closed-circuit current principle**, guard locking by spring force. Release by applying voltage to the guard locking solenoid. The door position is also monitored. The door monitoring output OUT D is set to HIGH as soon as the actuator is above the extended plunger (state: door closed, guard locking not active). The output OUT D remains set also with guard locking active.

## LED function display

LED State Status LED

LED DIA Diagnostic LED

LED 1 rd freely configurable

LED 2 gn illuminates when door is closed

## Additional connections

OUT Monitoring output (semiconductor)

OUT D Door monitoring output

RST Reset input

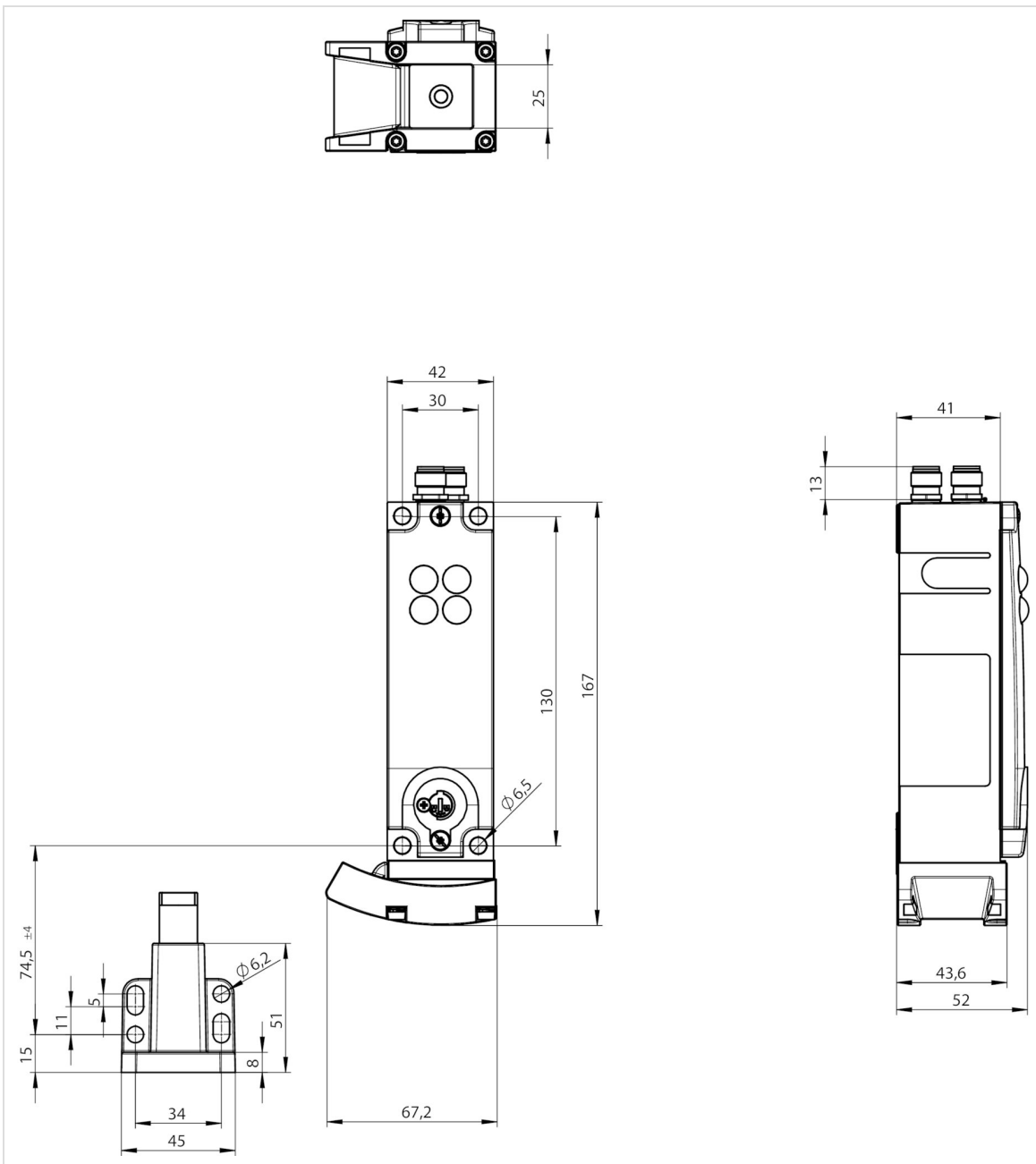
## Category according to EN ISO 13849-1

Due to two redundantly designed semiconductor outputs (safety outputs) with internal monitoring suitable for:

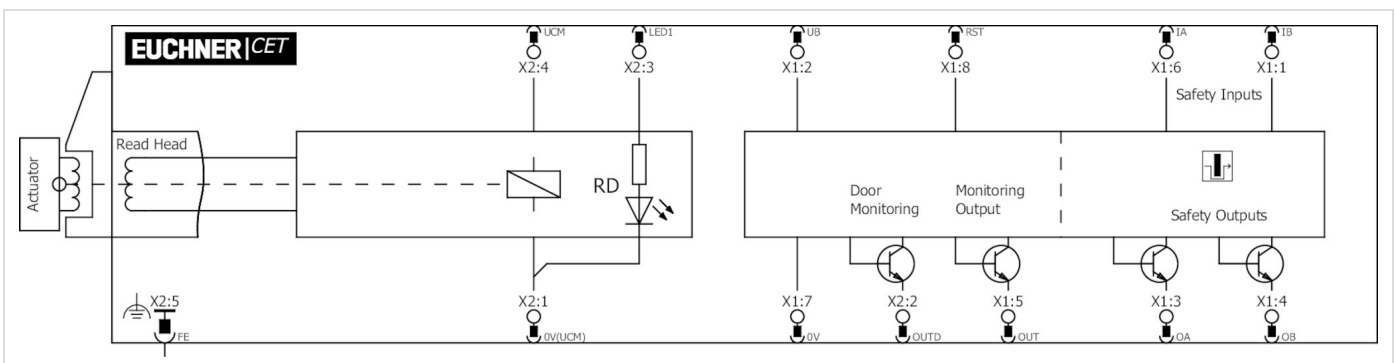
- ▶ Category 4/PL e according to EN ISO 13849-1
- ▶ The stated safety characteristics apply to any installation orientations of the safety switch.

**Important:** To achieve the stated category in accordance with EN ISO 13849-1, both safety outputs (OA and OB) must be evaluated.

## Dimension drawing



### Block diagram



### Technical data

#### Approvals



### Mechanical values and environment

Shock and vibration resistance	In acc. with EN 60947-5-3
Degree of freedom X	±5 mm
Degree of freedom Y	±5 mm
Degree of freedom Z	±4 mm
Housing material	
	Slide Stainless steel
	Safety switch housing Die-cast aluminum
Weight	
	Net 1 kg
Ambient temperature	
	At $U_B = 24V$ DC -20 ... 55 °C
Degree of protection	IP67 (Screwed tight plug connector/mating component)
Mechanical life	1 x 10 <sup>6</sup>
Installation orientation	Any (Preferably head downward)
Ready delay	10 s
Switching frequency	max.0,5 Hz
Connection	2 plug connectors M12, 5 and 8-pin
Approach speed	max.20 m/min
Guard locking principle	Closed-circuit current principle
Locking force $F_{max}$	6500 N
Locking force $F_{Zh}$	5000 N ( $F_{ZH} = F_{MAX}/1.3$ )

## Electrical connection ratings

Operating voltage DC	
	$U_B$ 24 V DC -15% ... 15% Reverse polarity protected, regulated, residual ripple < 5%, PELV
	LED 24 V DC -15% ... 10%
Current consumption	
	$I_B$ 80 mA
	$I_{CM}$ 450 mA
Utilization category acc. to EN 60947-5-2	
	DC-13 24V 200mA (Caution: outputs must be protected with a free-wheeling diode in case of inductive loads)
Solenoid operating voltage DC	
	$U_{CM}$ 24 V DC -15% ... +10% Reverse polarity protected, regulated, residual ripple < 5%, PELV
Fusing	
	External (operating voltage $U_B$ ) 0,25 ... 8 A
	External (solenoid operating voltage $U_{CM}$ ) 0,5 ... 8 A
Connection rating	
	Solenoid 11 W
EMC protection requirements	In acc. with EN IEC 60947-5-3
Solenoid duty cycle	100 %
Degree of contamination (external, according to EN 60947-1)	3

Connecting cable	30V DC, 2A (For UL requirement UL category code (CYJV/CYJV7))
Safety class	EN IEC 61140 III
Switching load	According to UL 24V DC, class 2 (For alternatives see operating instructions)
<b>Safety outputs OA/OB</b>	
Extension of risk time according to EN 60947-5-3 per device	max.5 ms
Type of output	2 semiconductor outputs, p-switching, short circuit-proof
Switching current	Per safety output OA / OB 1 ... 200 mA
Output voltage	High U(OA) / U(OB) UB-1,5V ... UB V DC Low U(OA) / U(OB) 0 ... 1 V DC
Off-state current I <sub>r</sub>	max.0,25 mA
Risk time according to EN 60947-5-3	Single device max.400 ms
Turn-on time	400 ms
Discrepancy time	Both safety outputs max.10 ms
<b>Monitoring output OUT</b>	
Type of output	p-switching, short circuit-proof
Switching current	OUT 1 ... 50 mA
Output voltage	OUT 0,8xUB ... UB V DC
Switching delay from state change	max.400 ms
<b>Monitoring output OUT D</b>	
Type of output	p-switching, short circuit-proof
Switching current	OUT D 1 ... 50 mA
Output voltage	OUT D 0,8xUB ... UB V DC
Switching delay from state change	max.700 ms

## Work area

Repeat accuracy R	According to EN 60947-5-2 10 %
-------------------	--------------------------------

## Other

For the approval acc. to UL the following applies	Operation only with UL class 2 power supply, or equivalent measures see operating instructions
---	--

## Reliability values according to EN ISO 13849-1

## Monitoring of guard locking and the safety guard position

Category	
	Any installation orientation 4
Performance Level	PL e
PFH <sub>D</sub>	
	Any installation orientation 3.1 x 10 <sup>-9</sup>
<b>Control of the guard locking</b>	
Category	Depending on external control of guard locking (LEDs have the same ground potential as the guard locking solenoid.)
Performance Level	Depending on external control of guard locking (LEDs have the same ground potential as the guard locking solenoid.)
PFH <sub>D</sub>	Depending on external control of guard locking (LEDs have the same ground potential as the guard locking solenoid.)
Mission time	20 y

## Accessories

### Actuator

#### Actuator CET-A-BWK-50X



**096327**  
CET-A-BWK-50X

- ▶ Actuator for read head/safety switch CET
- ▶ Four safety screws M5x16 included

### Bolt

#### Bolt CET-A-C



**104309**  
RIEGEL CET-A-C

- ▶ Steel bolt
- ▶ In combination with CET
- ▶ For doors hinged on the left or right
- ▶ Can be locked in open position with padlocks

#### Bolt CET-A-C, for swing doors without stop



**109672**  
RIEGEL CET-A-C-C2308

- ▶ Steel bolt
- ▶ In combination with CET
- ▶ For doors hinged on the left or right
- ▶ Can be locked in open position with padlocks
- ▶ Bolt without door stop, suitable for swing doors

### Connection material

#### Bridging plug M12



**097645**  
AC-SP-SJ-097645

- ▶ Strapping plug
- ▶ M12 male plug, 4-pin

#### Connecting cable with two plug connectors M12, 5-pin, 1 m, AIDA standard



**159362**  
C-M12F05-05X034PU01,0-M12M05-159362

- ▶ M12 female plug to M12 plug connector, 5-pin
- ▶ Straight female plug and plug connector
- ▶ Connecting cable according to AIDA standard
- ▶ PUR cable, sheath color yellow
- ▶ Cable length 1 m



**159355**  
C-M12F05-05X034PU01,0-M12M05-159355

- ▶ M12 female plug to M12 plug connector, 5-pin
- ▶ Straight female plug and plug connector
- ▶ Connecting cable according to AIDA standard
- ▶ PUR cable, sheath color gray
- ▶ Cable length 1 m

### Connecting cable with two plug connectors M12, 5-pin, 1.5m, AIDA standard



**159363**  
C-M12F05-05X034PU01,5-M12M05-159363

- ▶ M12 female plug to M12 plug connector, 5-pin
- ▶ Straight female plug and plug connector
- ▶ Connecting cable according to AIDA standard
- ▶ PUR cable, sheath color yellow
- ▶ Cable length 1.5 m



**159356**  
C-M12F05-05X034PU01,5-M12M05-159356

- ▶ M12 female plug to M12 plug connector, 5-pin
- ▶ Straight female plug and plug connector
- ▶ Connecting cable according to AIDA standard
- ▶ PUR cable, sheath color gray
- ▶ Cable length 1.5 m

### Connecting cable with two plug connectors M12, 5-pin, 3m, AIDA standard



**159364**  
C-M12F05-05X034PU03,0-M12M05-159364

- ▶ M12 female plug to M12 plug connector, 5-pin
- ▶ Straight female plug and plug connector
- ▶ Connecting cable according to AIDA standard
- ▶ PUR cable, sheath color yellow
- ▶ Cable length 3 m



**159357**  
C-M12F05-05X034PU03,0-M12M05-159357

- ▶ M12 female plug to M12 plug connector, 5-pin
- ▶ Straight female plug and plug connector
- ▶ Connecting cable according to AIDA standard
- ▶ PUR cable, sheath color gray
- ▶ Cable length 3 m

### Connecting cable with two plug connectors M12, 5-pin, 5m, AIDA standard



**159365**  
C-M12F05-05X034PU05,0-M12M05-159365

- ▶ M12 female plug to M12 plug connector, 5-pin
- ▶ Straight female plug and plug connector
- ▶ Connecting cable according to AIDA standard
- ▶ PUR cable, sheath color yellow
- ▶ Cable length 5 m



**159358**  
C-M12F05-05X034PU05,0-M12M05-159358

- ▶ M12 female plug to M12 plug connector, 5-pin
- ▶ Straight female plug and plug connector
- ▶ Connecting cable according to AIDA standard
- ▶ PUR cable, sheath color gray
- ▶ Cable length 5 m

### Connecting cable with two plug connectors M12, 5-pin, 8m, AIDA standard



**159919**  
C-M12F05-05X034PU08,0-M12M05-159919

- ▶ M12 female plug to M12 plug connector, 5-pin
- ▶ Straight female plug and plug connector
- ▶ Connecting cable according to AIDA standard
- ▶ PUR cable, sheath color yellow
- ▶ Cable length 8 m



**159359**  
C-M12F05-05X034PU08,0-M12M05-159359

- ▶ M12 female plug to M12 plug connector, 5-pin
- ▶ Straight female plug and plug connector
- ▶ Connecting cable according to AIDA standard
- ▶ PUR cable, sheath color gray
- ▶ Cable length 8 m

### Connecting cable with two plug connectors M12, 5-pin, 10m, AIDA standard



**159920**  
C-M12F05-05X034PU10,0-M12M05-159920

- ▶ M12 female plug to M12 plug connector, 5-pin
- ▶ Straight female plug and plug connector
- ▶ Connecting cable according to AIDA standard
- ▶ PUR cable, sheath color yellow
- ▶ Cable length 10 m



**159360**  
C-M12F05-05X034PU10,0-M12M05-159360

- ▶ M12 female plug to M12 plug connector, 5-pin
- ▶ Straight female plug and plug connector
- ▶ Connecting cable according to AIDA standard
- ▶ PUR cable, sheath color gray
- ▶ Cable length 10 m

### Connecting cable with two plug connectors M12, 5-pin, 15m, AIDA standard



**159921**  
C-M12F05-05X034PU15,0-M12M05-159921

- ▶ M12 female plug to M12 plug connector, 5-pin
- ▶ Straight female plug and plug connector
- ▶ Connecting cable according to AIDA standard
- ▶ PUR cable, sheath color yellow
- ▶ Cable length 15 m



**159361**  
C-M12F05-05X034PU15,0-M12M05-159361

- ▶ M12 female plug to M12 plug connector, 5-pin
- ▶ Straight female plug and plug connector
- ▶ Connecting cable according to AIDA standard
- ▶ PUR cable, sheath color gray
- ▶ Cable length 15 m

### Connecting cable with two plug connectors M12, 8-pin, 1 m



**123430**  
C-M12M08-08X025PV01,0-M12F08-123430

- ▶ 8-pin M12 male plug, straight
- ▶ 8-pin M12 female connector, straight
- ▶ PVC cable
- ▶ Cable length 1 m

### Connecting cable with two plug connectors M12, 8-pin, 2 m



**123431**  
C-M12M08-08X025PV02,0-M12F08-123431

- ▶ 8-pin M12 male plug, straight
- ▶ 8-pin M12 female connector, straight
- ▶ PVC cable
- ▶ Cable length 2m

## Connecting cable with two plug connectors M12, 8-pin, 5 m

---



**123432**  
C-M12M08-08X025PV05,0-M12F08-123432

- ▶ 8-pin M12 male plug, straight
- ▶ 8-pin M12 female connector, straight
- ▶ PVC cable
- ▶ Cable length 5m

## Connecting cable with two plug connectors M12, 8-pin, 10 m

---



**123433**  
C-M12M08-08X025PV10,0-M12F08-123433

- ▶ 8-pin M12 male plug, straight
- ▶ 8-pin M12 female connector, straight
- ▶ PVC cable
- ▶ Cable length 10m

## Connection cable with 2 plug connectors M12, 5-pin, 5m

---



**100180**  
C-M12F05-05X034PV05,0-M12M05-100180

- ▶ M12 female plug to M12 plug connector, 5-pin
- ▶ Straight female plug and plug connector
- ▶ PVC cable
- ▶ Cable length 5 m



**119932**  
C-M12F05-05X034PU05,0-M12M05-119932

- ▶ M12 female plug to M12 plug connector, 5-pin
- ▶ Straight female plug and plug connector
- ▶ PUR cable
- ▶ Cable length 5 m

## Connection cable with 2 plug connectors M12, 5-pin, 10m

---



**100181**  
C-M12F05-05X034PV10,0-M12M05-100181

- ▶ M12 female plug to M12 plug connector, 5-pin
- ▶ Straight female plug and plug connector
- ▶ PVC cable
- ▶ Cable length 10 m



**119947**  
C-M12F05-05X034PU10,0-M12M05-119947

- ▶ M12 female plug to M12 plug connector, 5-pin
- ▶ Straight female plug and plug connector
- ▶ PUR cable
- ▶ Cable length 10 m

## Connection cable with 2 plug connectors M12, 5-pin, 20m

---



**100182**  
C-M12F05-05X034PV20,0-M12M05-100182

- ▶ M12 female plug to M12 plug connector, 5-pin
- ▶ Straight female plug and plug connector
- ▶ PVC cable
- ▶ Cable length 20 m



**119971**  
C-M12F05-05X034PU20,0-M12M05-119971

- ▶ M12 female plug to M12 plug connector, 5-pin
- ▶ Straight female plug and plug connector
- ▶ PUR cable
- ▶ Cable length 20 m

## Connection cable with angled plug connector M12, 5-pin, 10m



**113190**  
C-M12F05-05X025PU10,0-MA-113190

- ▶ M12 female plug, 5-pin
- ▶ Angled plug connector
- ▶ PUR cable
- ▶ Cable length 10 m
- ▶ Cable exit C (left)
- ▶ With flying lead



**113187**  
C-M12F05-05X025PU10,0-MA-113187

- ▶ M12 female plug, 5-pin
- ▶ Angled plug connector
- ▶ PUR cable
- ▶ Cable length 10 m
- ▶ Cable exit A (right)
- ▶ With flying lead

## Connection cable with angled plug connector M12, 8-pin, 10m



**113189**  
C-M12F08-08X025PU10,0-MA-113189

- ▶ M12 female plug, 8-pin
- ▶ Angled plug connector
- ▶ Cable outlet C (left)
- ▶ PUR cable
- ▶ Cable length 10 m
- ▶ With flying lead



**113188**  
C-M12F08-08X025PU10,0-MA-113188

- ▶ M12 female plug, 8-pin
- ▶ Angled plug connector
- ▶ Cable outlet A (right)
- ▶ PUR cable
- ▶ Cable length 10 m
- ▶ With flying lead

## Connection cable with angled plug connector M12, 8-pin, 20m



**120998**  
C-M12F08-08X025PU20,0-MA-120998

- ▶ M12 female plug, 8-pin
- ▶ Angled plug connector
- ▶ Cable outlet A (right)
- ▶ PUR cable
- ▶ Cable length 20 m
- ▶ With flying lead



**120999**  
C-M12F08-08X025PU20,0-MA-120999

- ▶ M12 female plug, 8-pin
- ▶ Angled plug connector
- ▶ Cable outlet C (left)
- ▶ PUR cable
- ▶ Cable length 20 m
- ▶ With flying lead

## Connection cable with plug connector M12, 8-pin, 5m



**100177**  
C-M12F08-08X025PV05,0-MA-100177

- ▶ M12 female plug, 8-pin
- ▶ Straight plug connector
- ▶ PVC cable
- ▶ Cable length 5 m
- ▶ With flying lead



**115112**  
C-M12F08-08X025PU05,0-MA-115112

- ▶ M12 female plug, 8-pin
- ▶ Straight plug connector
- ▶ PUR cable
- ▶ Cable length 5 m
- ▶ With flying lead

## Connection cable with plug connector M12, 8-pin, 10m



**100178**

- ▶ M12 female plug, 8-pin



**100178**  
C-M12F08-08X025PV10,0-MA-100178

- ▶ M12 female plug, 8-pin
- ▶ Straight plug connector
- ▶ PVC cable
- ▶ Cable length 10 m
- ▶ With flying lead



**115113**  
C-M12F08-08X025PU10,0-MA-115113

- ▶ M12 female plug, 8-pin
- ▶ Straight plug connector
- ▶ PUR cable
- ▶ Cable length 10 m
- ▶ With flying lead

### Connection cable with plug connector M12, 8-pin, 20m



**100179**  
C-M12F08-08X025PV20,0-MA-100179

- ▶ M12 female plug, 8-pin
- ▶ Straight plug connector
- ▶ PVC cable
- ▶ Cable length 20 m
- ▶ With flying lead



**115114**  
C-M12F08-08X025PU20,0-MA-115114

- ▶ M12 female plug, 8-pin
- ▶ Straight plug connector
- ▶ PUR cable
- ▶ Cable length 20 m
- ▶ With flying lead

### Connection cable with plug connector M12, 8-pin, 30m



**115257**  
C-M12F08-08X025PU30,0-MA-115257

- ▶ M12 female plug, 8-pin
- ▶ Straight plug connector
- ▶ PUR cable
- ▶ Cable length 30 m
- ▶ With flying lead



**115116**  
C-M12F08-08X025PV30,0-MA-115116

- ▶ M12 female plug, 8-pin
- ▶ Straight plug connector
- ▶ PVC cable
- ▶ Cable length 30 m
- ▶ With flying lead

### Connection cable with straight plug connector M12, 5-pin, 5m



**100183**  
C-M12F05-05X034PV05,0-MA-100183

- ▶ M12 female plug, 5-pin
- ▶ Straight plug connector
- ▶ PVC cable
- ▶ Cable length 5 m
- ▶ With flying lead



**113620**  
C-M12F05-05X034PU05,0-MA-113620

- ▶ M12 female plug, 5-pin
- ▶ Straight plug connector
- ▶ PUR cable
- ▶ Cable length 5 m
- ▶ With flying lead

### Connection cable with straight plug connector M12, 5-pin, 10m



**100184**  
C-M12F05-05X034PV10,0-MA-100184

- ▶ M12 female plug, 5-pin
- ▶ Straight plug connector
- ▶ PVC cable
- ▶ Cable length 10 m

- ▶ Cable length 10 m
- ▶ With flying lead



**113640**  
C-M12F05-05X034PU10,0-MA-113640

- ▶ M12 female plug, 5-pin
- ▶ Straight plug connector
- ▶ PUR cable
- ▶ Cable length 10 m
- ▶ With flying lead

### Connection cable with straight plug connector M12, 5-pin, 20 m



**100185**  
C-M12F05-05X034PV20,0-MA-100185

- ▶ M12 female plug, 5-pin
- ▶ Straight plug connector
- ▶ PVC cable
- ▶ Cable length 20 m
- ▶ With flying lead



**113682**  
C-M12F05-05X034PU20,0-MA-113682

- ▶ M12 female plug, 5-pin
- ▶ Straight plug connector
- ▶ PUR cable
- ▶ Cable length 20 m
- ▶ With flying lead

### Connection cable with straight plug connector M12, 5-pin, 30 m



**122784**  
C-M12F05-05X034PU30,0-MA-122784

- ▶ M12 female plug, 5-pin
- ▶ Straight plug connector
- ▶ PUR cable
- ▶ Cable length 30 m
- ▶ With flying lead

### M12 extension PUR 5-pin, plug connectors at both ends, 10m



**115565**  
C-M12F05-05X025PU10,0-M12M05-115565

- ▶ M12 female plug, 5-pin (angled) to M12 plug connector (straight)
- ▶ plug connectors at both ends
- ▶ PUR cable
- ▶ Cable length 10 m
- ▶ With cable exit A (right)



**115566**  
C-M12F05-05X025PU10,0-M12M05-115566

- ▶ M12 female plug, 5-pin (angled) to M12 plug connector (straight)
- ▶ plug connectors at both ends
- ▶ PUR cable
- ▶ Cable length 10 m
- ▶ With cable exit C (left)

### Passive distribution module



**120861**  
AC-DP-04-SA-120861

- ▶ Connection of up to 4 CES-AR, CET-AR, CTP-AR and ESL-AR
- ▶ LEDs for the indication of the door position on each port
- ▶ Can be connected in series

### Y-distributor M12 with connecting cable, without IO-Link evaluation



**111696**  
AC-YD-V0,2-SBB-111696

- ▶ For series connection of AR/BR safety switches in switch chains without IO-Link evaluation
- ▶ Y-distributor M12 with connecting cable,



**112395**  
AC-YD-V1,0-SBB-112395

- ▶ 2 x 5-pin, 1 x 8-pin
- ▶ Straight plug connector
- ▶ PVC cable
- ▶ Cable length 0.2 m
- ▶ For series connection of AR/BR safety switches in switch chains without IO-Link evaluation
- ▶ Y-distributor M12 with connecting cable, 2 x 5-pin, 1 x 8-pin
- ▶ Straight plug connector
- ▶ PVC cable
- ▶ Cable length 1 m

#### Y-distributor M12 without IO-Link evaluation



**097627**  
AC-YD-SBB-097627

- ▶ For series connection of AR/BR safety switches in switch chains without IO-Link evaluation
- ▶ Y-distributor M12, 2 x 5-pin, 1 x 8-pin
- ▶ Straight plug connector

#### Function expansion

##### Cover for actuator CET



**124979**  
AM-C-124979

- ▶ Cover for actuator CET
- ▶ Horizontal and vertical fastening option on the actuator
- ▶ Mounting using 4 screws M5x16 (included with the actuator)
- ▶ Suitable for combination with the lockout bar for CET actuator AE-L-CET-156429

##### Cover for read head and actuator CET



**098807**  
CET ABDECKUNG LINKS

- ▶ Cover for read heads / safety switches CET and actuators CET
- ▶ For approach direction C



**098808**  
CET ABDECKUNG RECHTS

- ▶ Cover for read heads / safety switches CET and actuators CET
- ▶ For approach direction A

##### Double ramp for safety switch/read head CET



**114091**  
CET-DR

##### Emergency unlocking for CET



**103714**  
AE-M-CET-103714



**159080**  
AE-M-CET-159080

---

### Holder for lockout mechanism CET actuator

---



**156338**  
Y-CHN-A1-156338

- ▶ Holder (incl. wire rope) for lockout bar CET

---

### Lockout bar and holder for CET actuators

---



**155865**  
AE-SET-LCHN-A1-155865

- ▶ Prevents unintentional closing of the door
- ▶ Can be secured with padlocks

---

### Lockout mechanism for CET actuator

---



**122609**  
AE-L-CET-122609

- ▶ Prevents unintentional closing of the door
- ▶ Can be secured with padlocks
- ▶ Not suitable in combination with cover AM-C for actuator CET



**156429**  
AE-L-CET-156429

- ▶ Prevents unintentional closing of the door
- ▶ Can be secured with padlocks

---

### Mechanical key release for CET read head/switch

---



**098850**  
SCHLUESSEL-HILFSENTRIEGELUNG

- ▶ Identical locking
- ▶ Key removable in "unlocked" and "locked" positions

---

### Mounting accessories

## Efficient protection against tampering for safety switch mounting

---



**161344**  
AM-C-SW4-V3-161344

- ▶ Plastic inserts for hexagon socket screws a/f 4
- ▶ Efficient protection against tampering for safety switch mounting
- ▶ The packaging includes inserts for 18 screws



**161348**  
AM-C-SW5-V3-161348

- ▶ Plastic inserts for hexagon socket screws a/f 5
- ▶ Efficient protection against tampering for safety switch mounting
- ▶ The packaging includes inserts for 18 screws

## Mounting plate EM-P actuator for safety switch CET

---



**126400**  
AM-P-126400

- ▶ Mounting plate for CET actuator
- ▶ Suitable for mounting on aluminum profiles of width 30/40/50 mm
- ▶ Suitable for the mounting plates AM-P-126399 and AM-P-126398

## Mounting plate EM-P handle for safety switch CET

---



**126398**  
AM-P-126398

- ▶ Mounting plate with handle (handle included)
- ▶ For hinged or sliding doors
- ▶ Horizontal and vertical assembly circuits possible
- ▶ Suitable for aluminum profiles of width 30/40/50 mm
- ▶ Suitable for the CET mounting plates AM-P-126399 and AM-P-126400

## Mounting plate EM-P switch for safety switch CET

---



**126399**  
AM-P-126399

- ▶ Mounting plate for CET read heads/switches
- ▶ Direct mounting on aluminum profiles of width 30/40/50 mm
- ▶ Suitable for the mounting plates AM-P-126400 and AM-P-126398

## Mounting plate EMP-B-... for actuator CET

---



**106694**  
EMP-B-CET

- ▶ Mounting plate for actuator CET for hinged or sliding doors
- ▶ Suitable for aluminum profiles 40 ... 45 mm
- ▶ Horizontal and vertical mounting
- ▶ Made of aluminum

## Mounting plate EMP-L-... for CET read head/switches


---





**106695**  
EMP-L-CET


- ▶ Mounting plate for CET read heads/switches
- ▶ For hinged or sliding doors
- ▶ Suitable for aluminum profiles 40 ... 45 mm
- ▶ Horizontal and vertical mounting
- ▶ Suitable for CET with escape release

## Contacts

 EUCHNER GmbH + Co. KG  
Kohlhammerstraße 16  
70771 Leinfelden-Echterdingen

 +49 711 7597-0

 +49 711 753316

 [info\(at\)euchner.de](mailto:info(at)euchner.de)